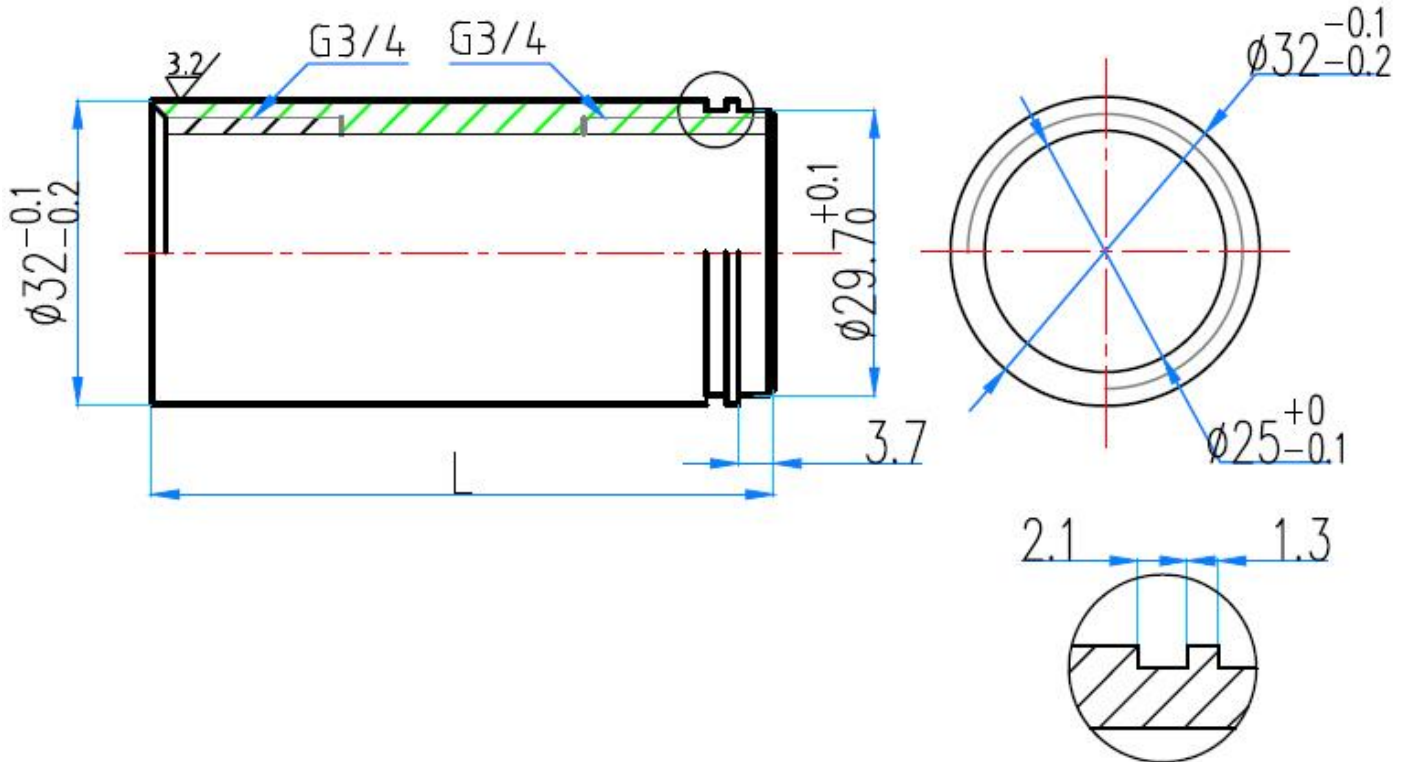
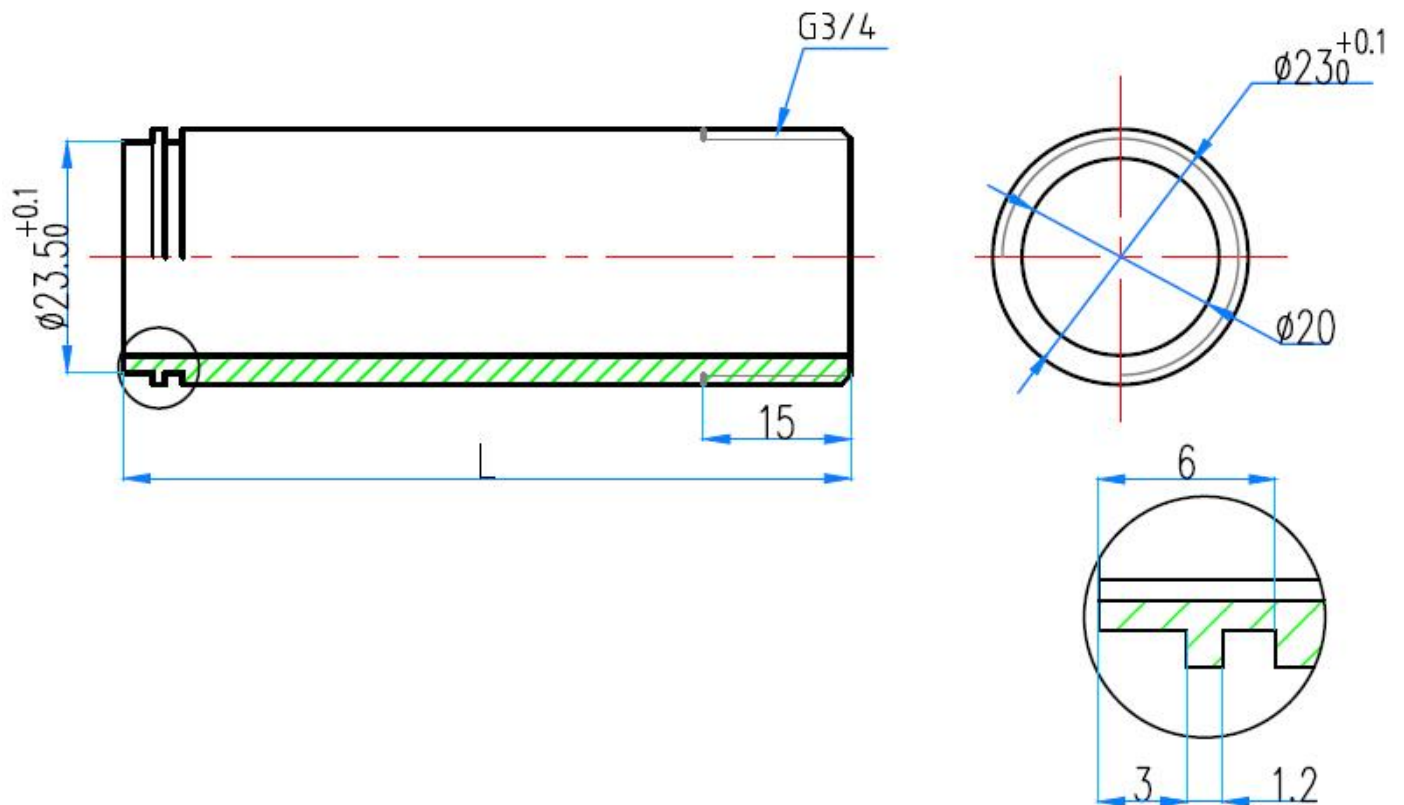


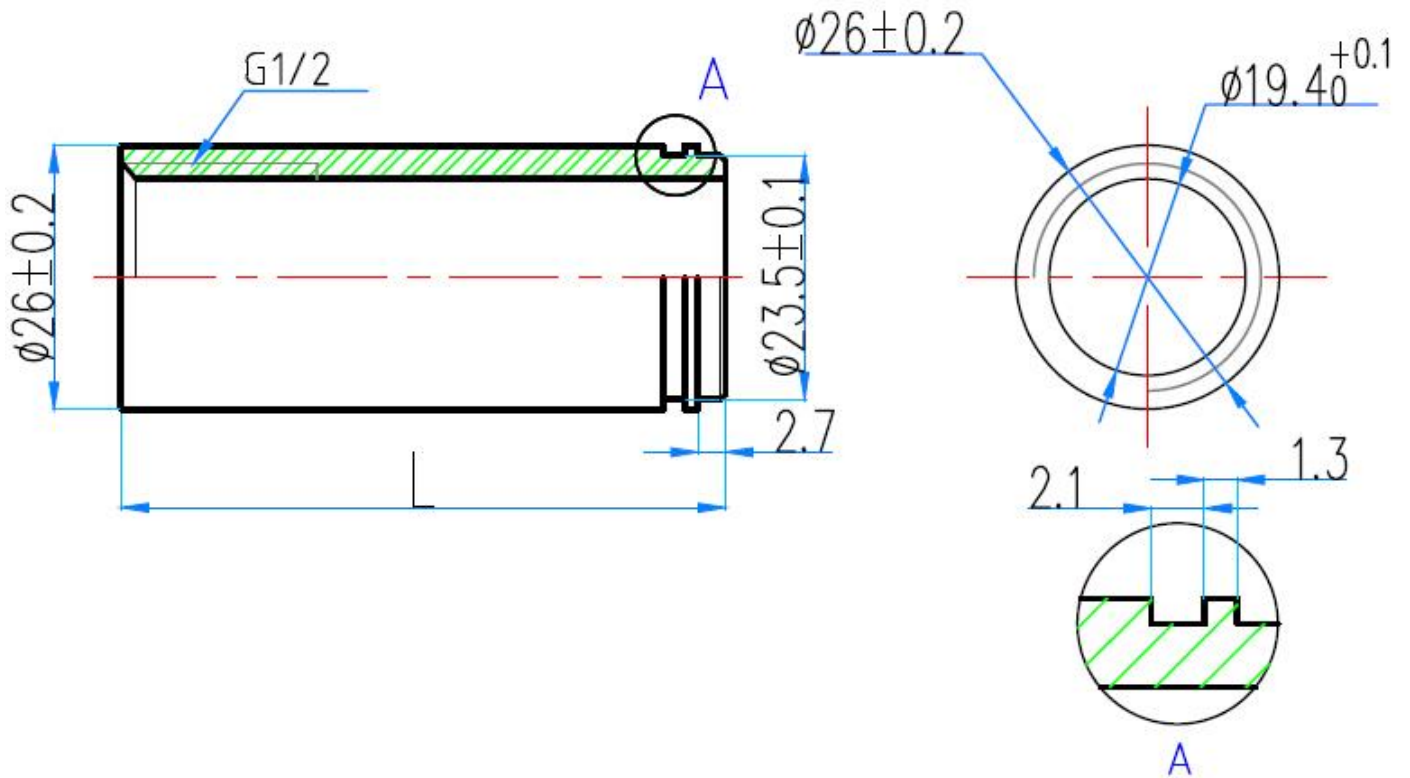
1 1/4" Internal thread Stainless Steel Pipe Nipples for Pressurized Solar Water Tanks



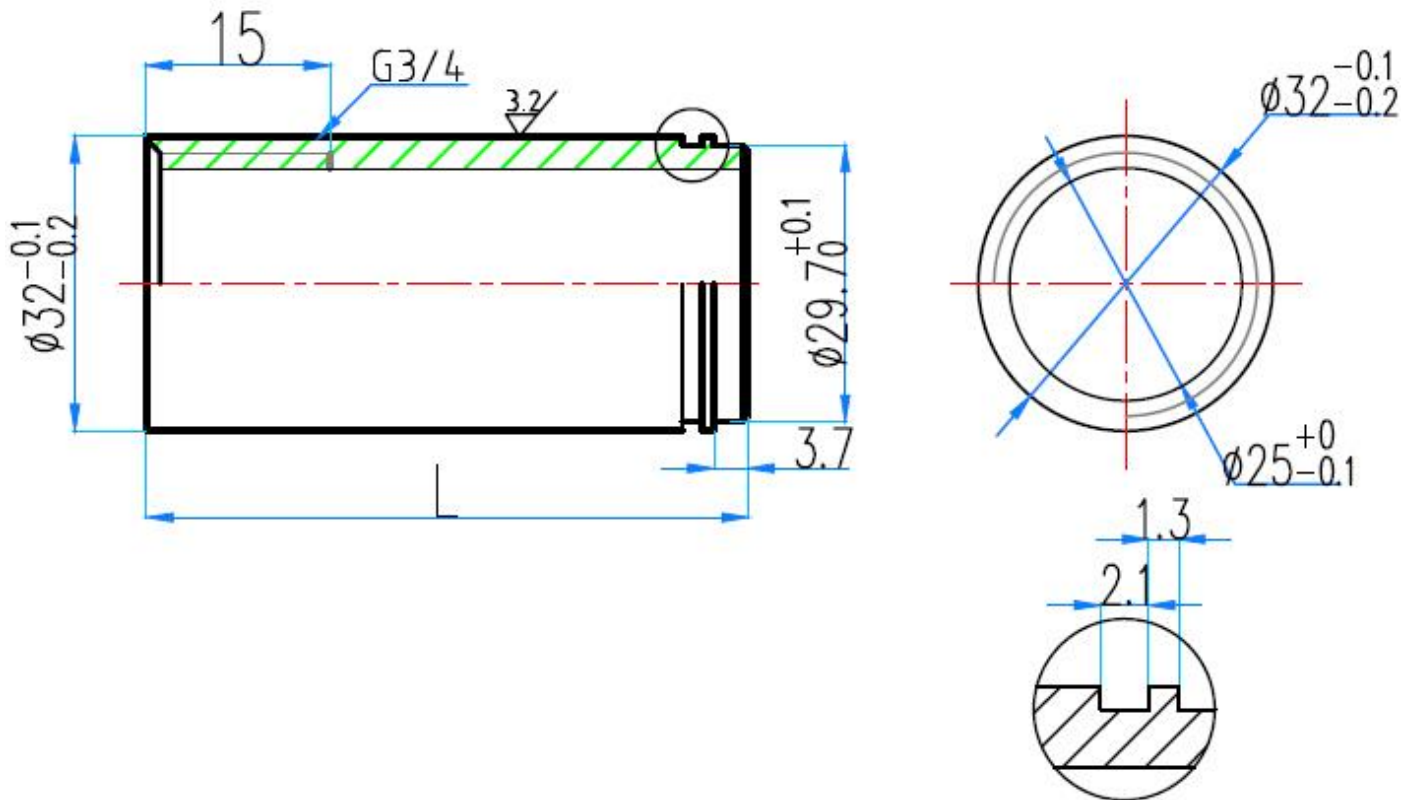
3/4" External thread Stainless Steel Pipe Nipples for Pressurized Solar Water Tanks



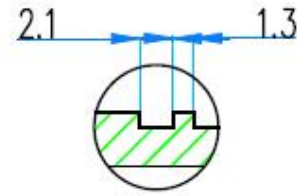
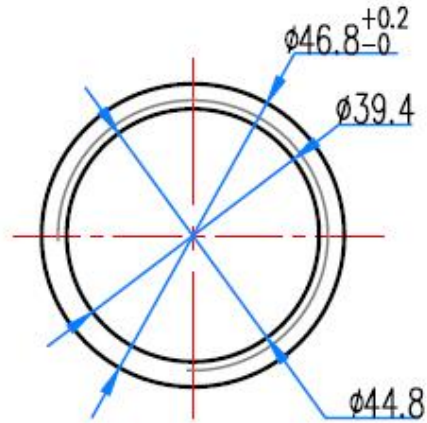
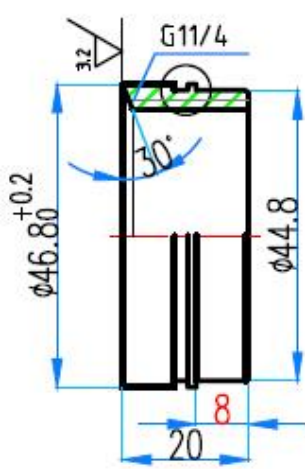
1/2" Internal thread Stainless Steel Pipe Nipples for Pressurized Solar Water Tanks



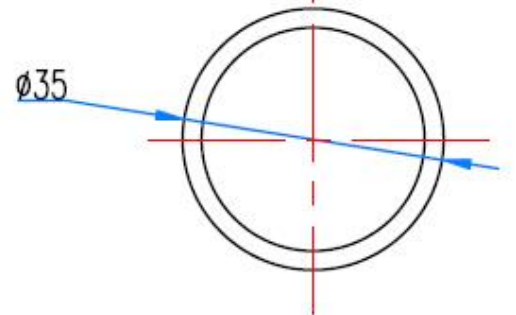
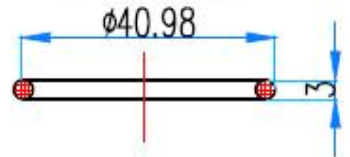
3/4" External thread Stainless Steel Pipe Nipples for Pressurized Solar Water Tanks



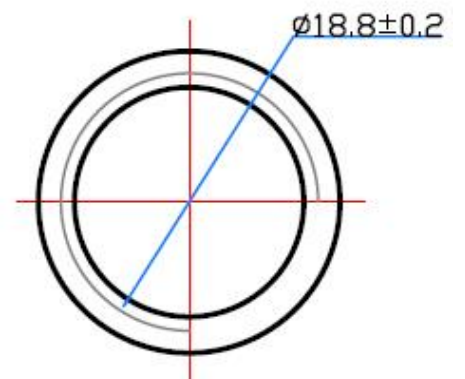
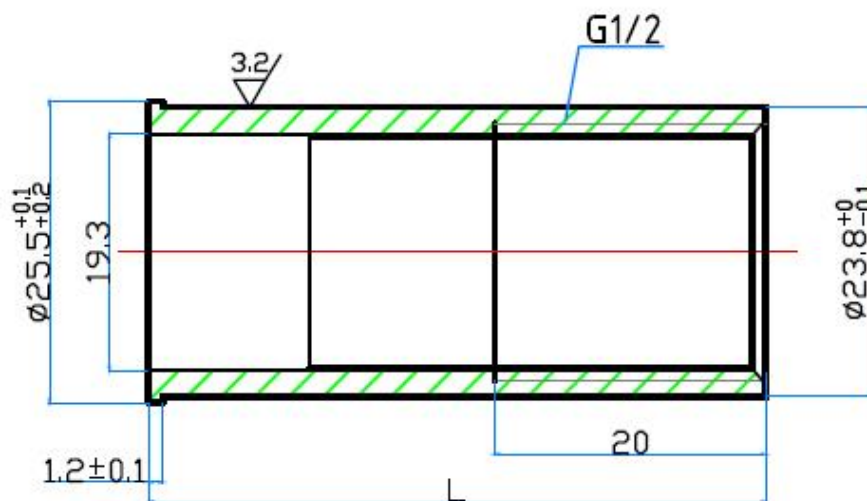
3/4" Double-end Internal thread Stainless Steel Pipe Nipples for Pressurized Solar Water Tanks



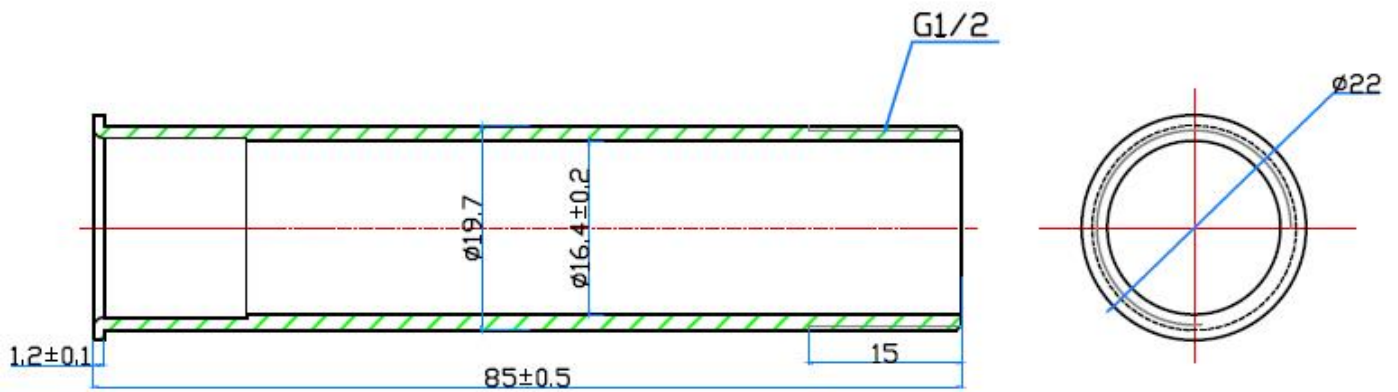
Seal ring



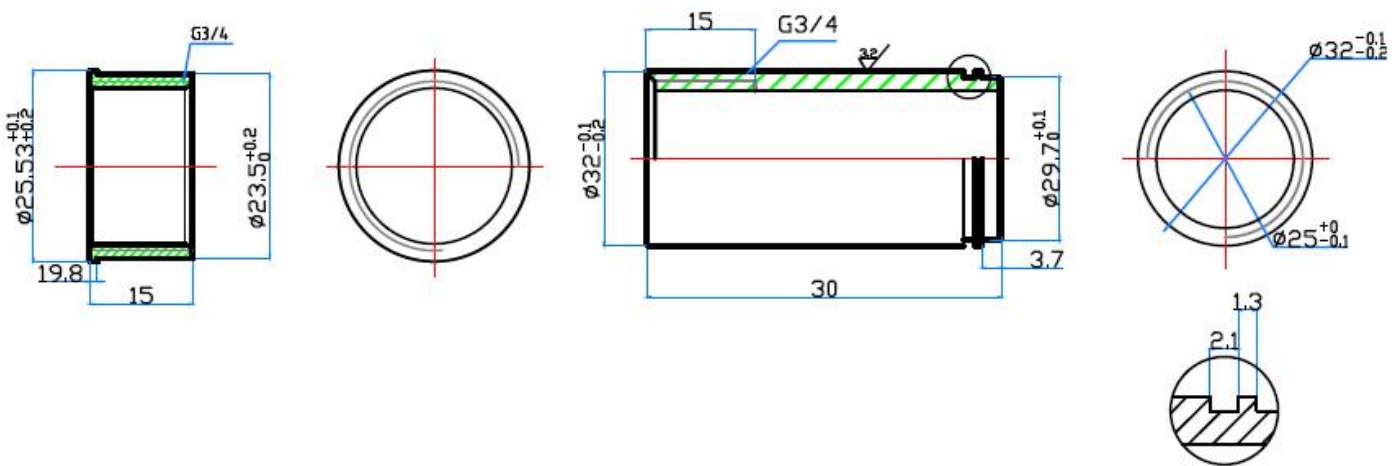
1/2" Internal thread Stainless Steel Pipe Nipples for Non-Pressurized Solar Water Tanks



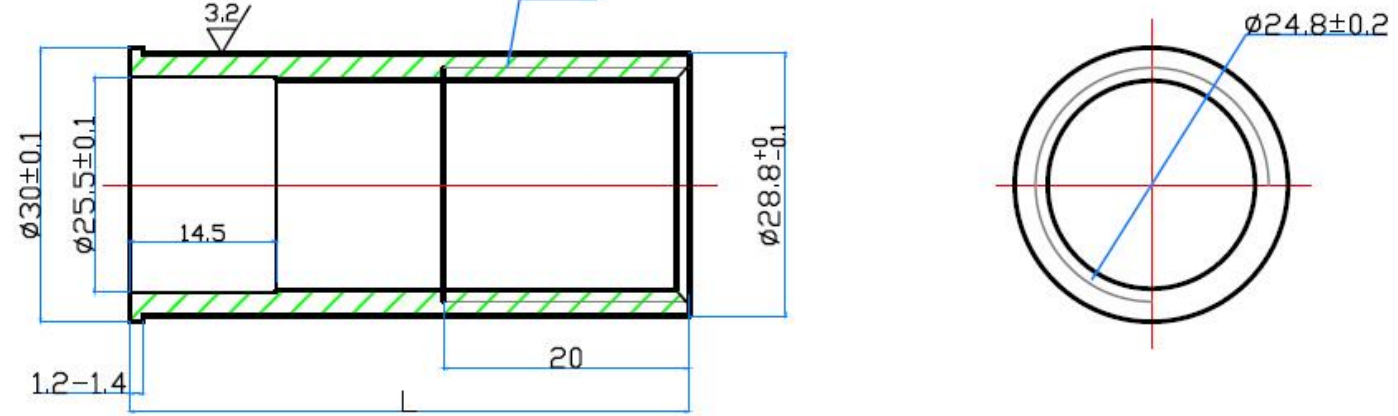
1/2"×85 External thread Stainless Steel Pipe Nipples for Non-Pressurized Solar Water Tanks



3/4" Internal thread Stainless Steel Pipe Nipples for Non-Pressurized and Pressurized Solar Water Tanks



3/4" Internal thread Stainless Steel Pipe Nipples for Non-Pressurized Solar Water Tanks



3/4" External thread Stainless Steel Pipe Nipples for Non-Pressurized Solar Water Tanks

